

# SCip Wireless Traffic Light™

STTL

## Installation guide



For use with:

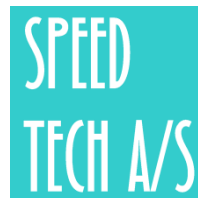


SCD™ series



SCD mini™ series

- Warning and open/close signaling.
- 60 high intensity, high efficiency LEDs.
- 3 colors, red, green and amber.
- Wirelessly controlled using SCip protocol.
- Waterproof design.



## INTRODUCTION AND INSTALLATION

### Introduction:

The Wireless Traffic Light is a wirelessly controlled warning/indication light source for use together with the SCD/SCD mini series door controllers.

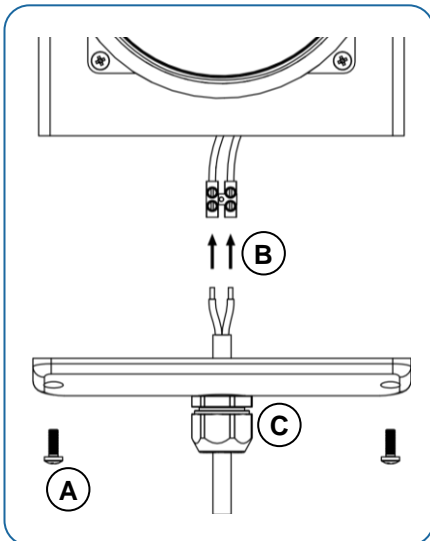
The Wireless Traffic Light is able to display three colors:



These three colors can furthermore flash in preprogrammed patterns, please refer to the SCD or SCD mini manual for configuring the behavior and patterns.

The priorities of the colors are as such: 1. Red, 2. Amber and 3. Green.

### Installation:



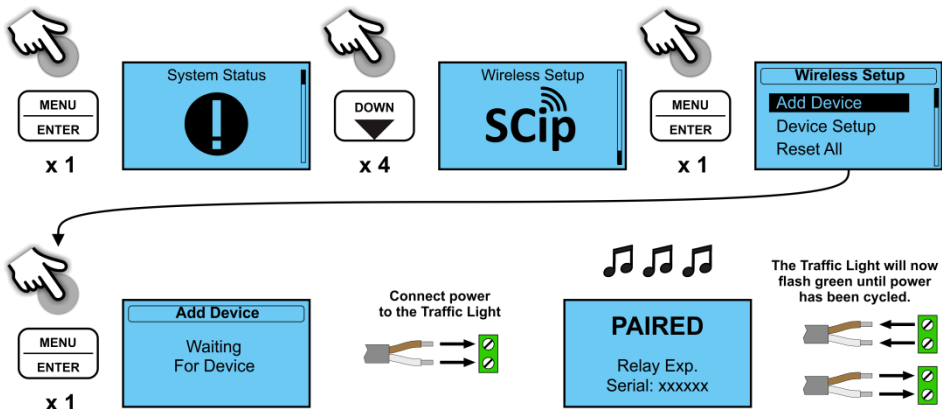
- A. Disassemble the bottom end by removing the 3 screws.
- B. Find the terminal strip inside and connect the supply cable.
- C. Carefully re-assemble the parts and tighten the cable gland to ensure a water proof seal.

*Note that the polarity is not important as the input is rectified.*

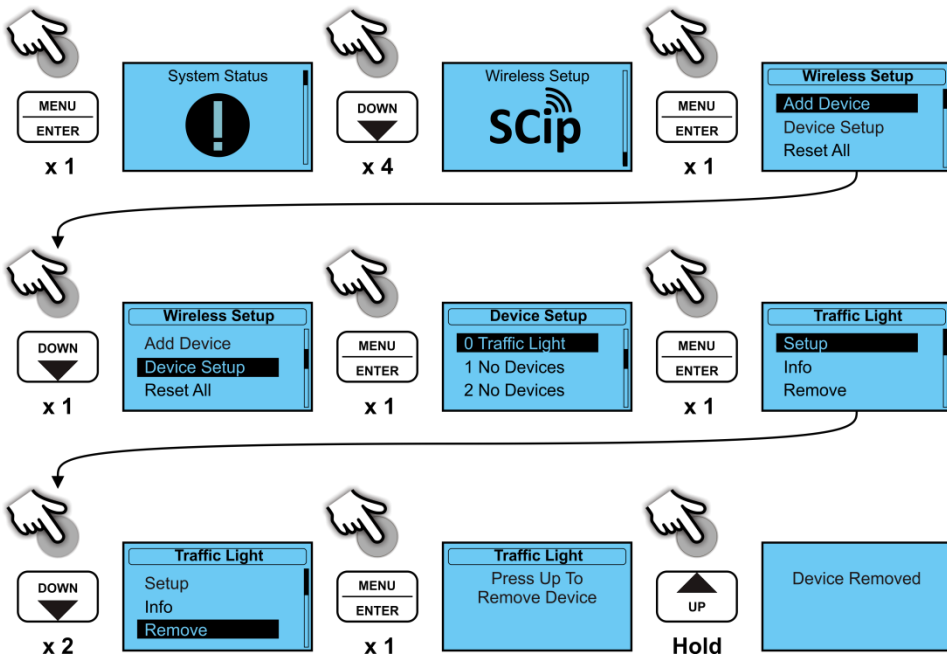
ADD

REMOVE

## Adding the STTL to an SCD or SCD mini:

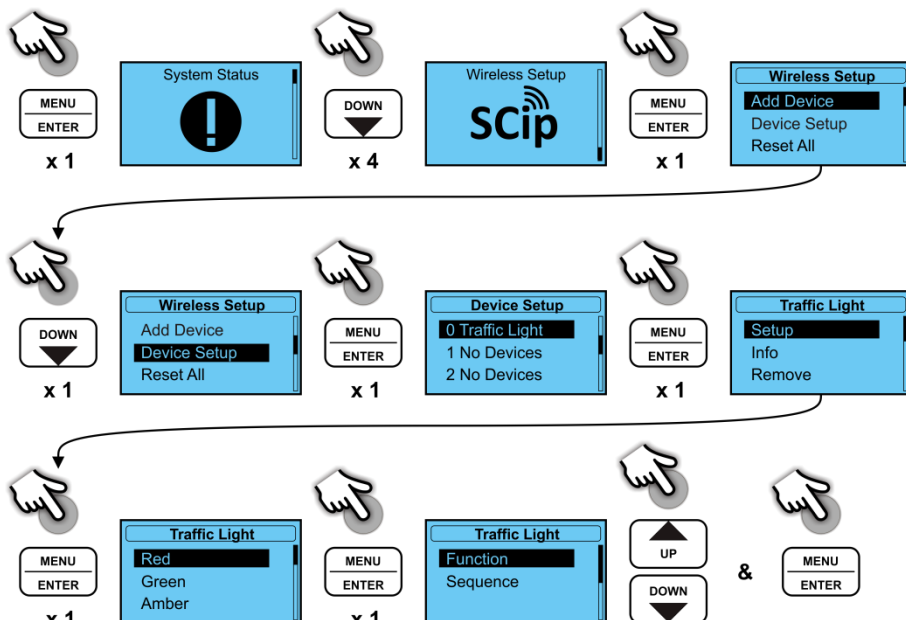


## Removing the STTL from SCD or SCD mini:



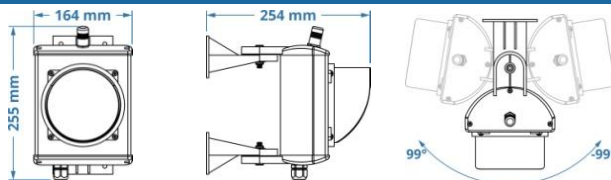
# CONFIGURING AND TECHNICAL DATA

## Configuring:



Select the desired function or sequence using the UP and DOWN buttons. Confirm by pressing MENU/ENTER.

## Mechanical dimensions:



## Technical data:

Range (indoor)	15m																
Network type/frequency:	2.4GHz ISM band																
Temperature range:	-20 to +40°C																
Power supply:	18~26V AC/DC																
Power dissipation:	2,2W (Amber full on)																
LED details:	<table border="1"> <thead> <tr> <th>Color</th> <th>Ad (nm)</th> <th>IV (mcd)</th> <th># of LEDs</th> </tr> </thead> <tbody> <tr> <td>Red</td> <td>620-625</td> <td>2300</td> <td>20</td> </tr> <tr> <td>Green</td> <td>520-525</td> <td>5000</td> <td>20</td> </tr> <tr> <td>Amber</td> <td>600-610</td> <td>2300</td> <td>20</td> </tr> </tbody> </table>	Color	Ad (nm)	IV (mcd)	# of LEDs	Red	620-625	2300	20	Green	520-525	5000	20	Amber	600-610	2300	20
	Color	Ad (nm)	IV (mcd)	# of LEDs													
	Red	620-625	2300	20													
	Green	520-525	5000	20													
Amber	600-610	2300	20														
Ingress protection class:	65																
Weight:	TBD																